



European Berserker Experience 2025



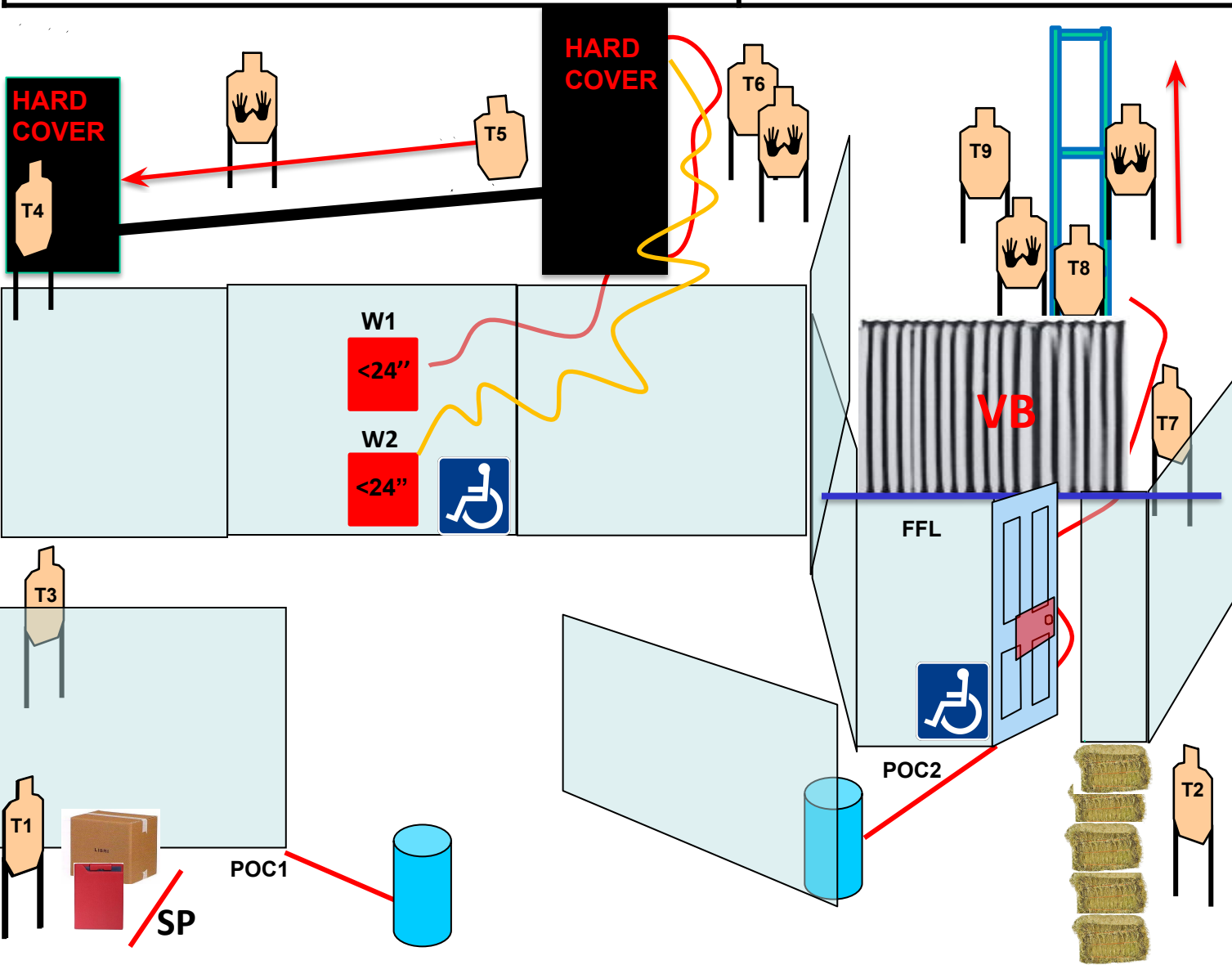
TIER 2 IDPA MATCH Stage n°1 "The delivery"

SCENARIO: You are making your delivery round, when you arrive at a company you realize too late that something is wrong! Some armed criminals were waiting for you to take the package and they do it by shooting you, defend yourself and recover the package

START POSITIONS: In SP facing T1, folder in both hands at eyes level, gun loaded & holstered, empty chamber, spare magazines at division capacity properly stowed
PCC: The same condition but rifle on the top of package, muzzle down range.

STRINGS: 1
SCORING: 18 rounds, Unlimited
TARGETS: 9 threat, , 4 NT
SCORED HITS: Best 2 per target
START-STOP: Audible – Last shoot
RULES: IDPA Rulebook 2024
CONCEALMENT GARMENT: Required
DISTANCES: 1-16 yards
Muzzle Safe Point: Unless otherwise specified, the 180° rule applies horizontally, and vertically the limit is the berms height, vertically except guns unloaded and only with slide or cylinder open.

PROCEDURE: On the start signal, engage all target from available covers, T1-T2 and T8-T9, are in The Open. Opening W1, will activate the runner T5 that will disappear at the end of its action, from Poc2 will be able to engage T7 without touch the door, opening the door, will activate the backward runner T8 that not disappear.
N.B: At the start, the door will be left ajar. W2 only for PPDS use.





European Berserker Experience 2025

TIER 2 IDPA MATCH Stage n°2 "The invoice payment"

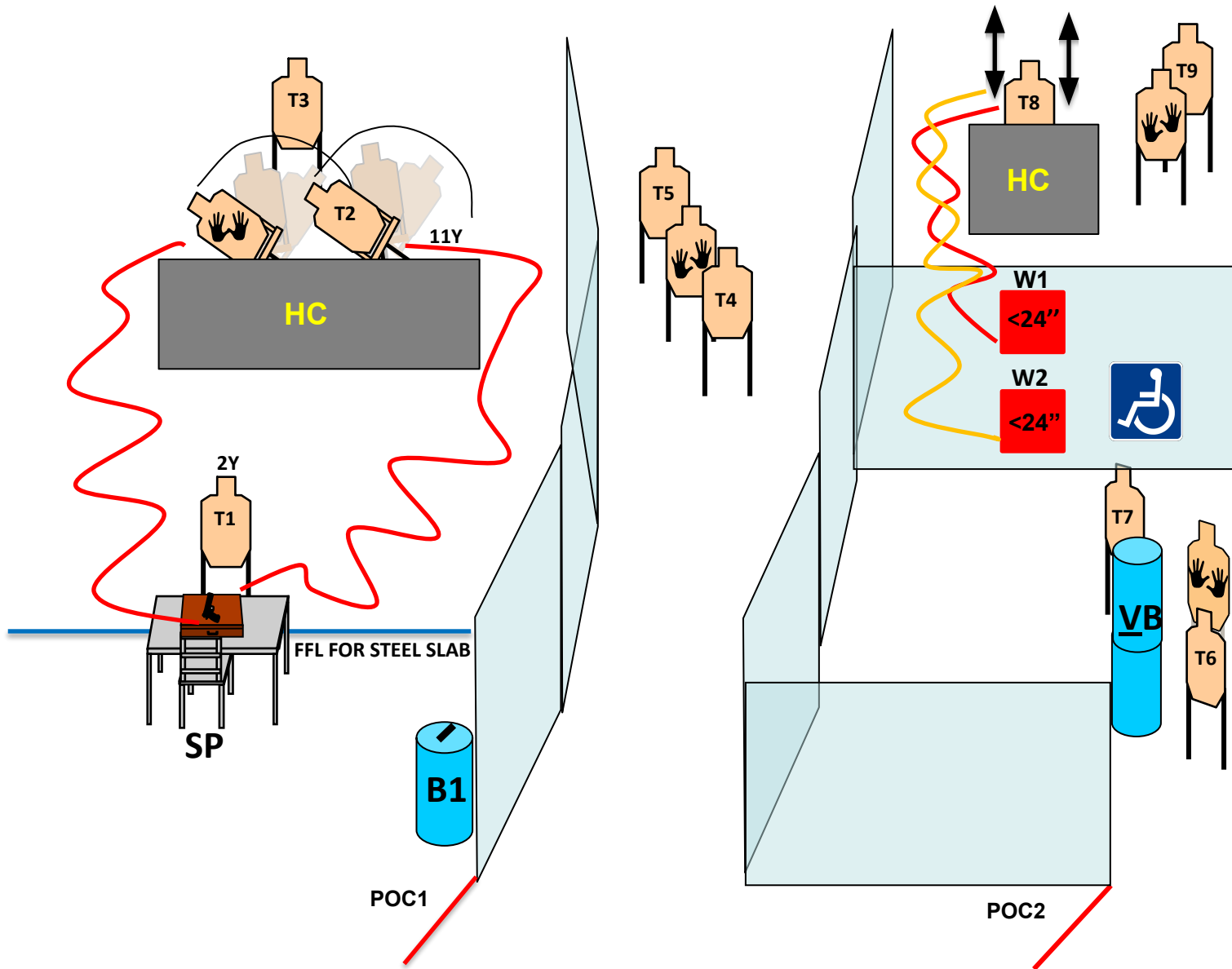


SCENARIO: You are receiving a customer to pay the invoice for some large supplies, but, due to a probable leak, some robbers have arrived with guns in hand, they do not hesitate to shoot you to take the money, defend yourself!!

START POSITIONS: Sitting on SP facing down-range, both hands on the suitcase sides. Gun unloaded inside the suitcase together only two magazines, remaining spares magazine on the top of Bin 1.
All spare magazines at division capacity
PCC: Same condition, rifle over the suitcase, muzzle down range

STRINGS: 1
SCORING: 18 rounds, Unlimited
TARGETS: 9 threat, , 4 NT
SCORED HITS: Best 2 per target
START-STOP: Audible – Last shoot
RULES: IDPA Rulebook 2024
CONCEALMENT GARMENT: Required
DISTANCES: 2-14 yards
Muzzle Safe Point: Unless otherwise specified, the 180° rule applies horizontally, and vertically the limit is the berms height., vertically except guns unloaded and only with slide or cylinder open.

PROCEDURE: On Start signal, engage all targets from available covers, T1-T2-T3 and T7, are in The Open, opening the suitcase, will activate the T2 & NT swinger, opening the W1, will activate the T8 Up & Down that will disappear at the end of its action.
N.B: Engage T2&T3 over the FFL, will be DQ (The HC is a Steel Slab)
W2 only for PPDS use





European Berserker Experience 2025



TIER 2 IDPA MATCH

Stage n°3

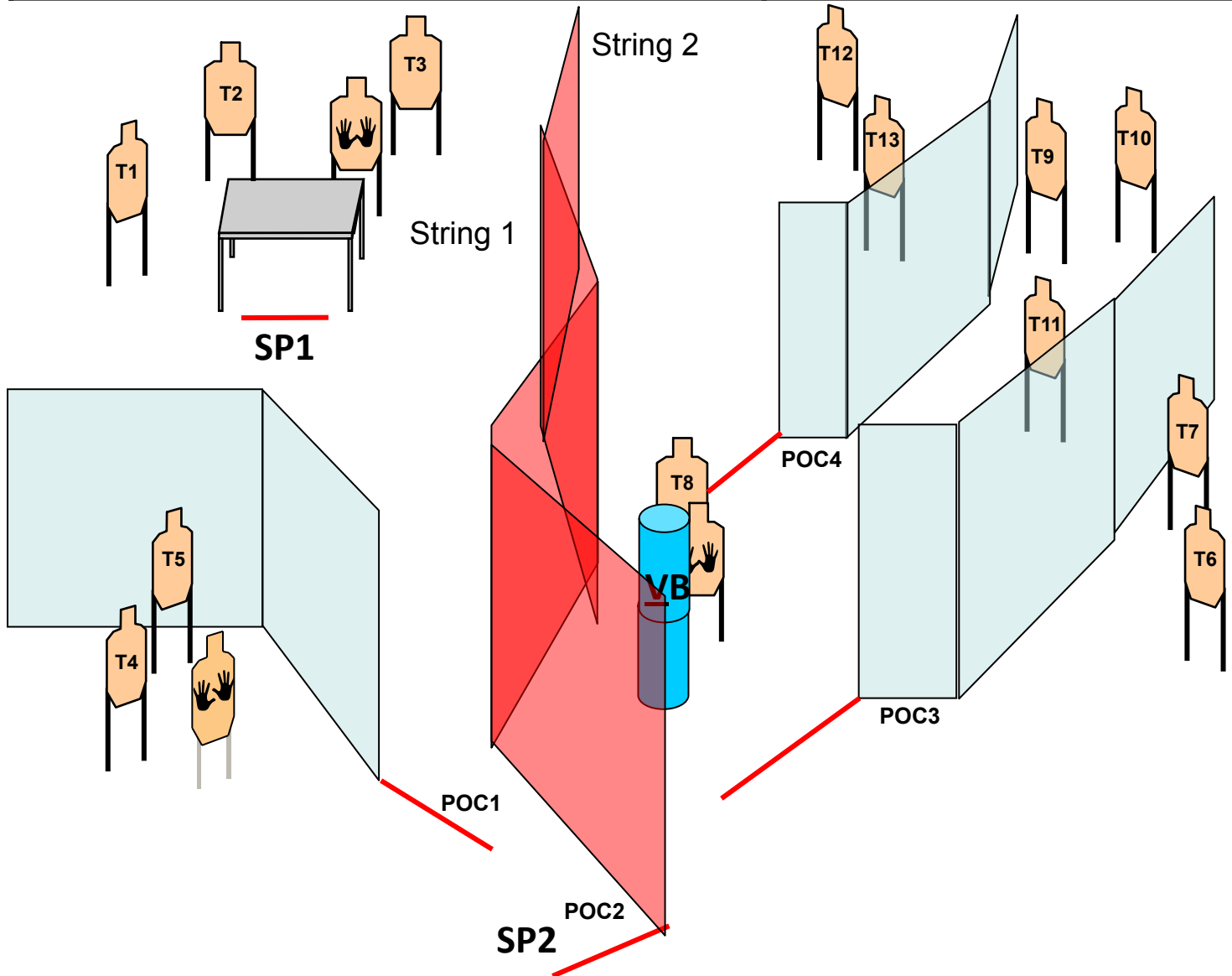
“At the post office”

SCENARIO: You went to collect your pension, while you are in line, some criminals burst into the office shooting at the guards and at you, defend yourself, but when it seems to be over, some criminals gets up and continues shooting at you.

START POSITIONS: Both strings standing relax, gun loaded and holstered, magazines at division capacity properly stowed.
PCC: Same conditions but Hip Level.
String 1: In SP1 toes touch the line, facing down range
String 2: In SP2 near to Poc2 heels touch the fault line, facing down range

STRINGS: 2
SCORING: String 1: 10 rounds, Unlimited
String 2: 16 rounds Unlimited
TARGETS: 13 threat, 3 NT
SCORED HITS: Best 2 per target for both strings
START-STOP: Audible – Last shoot
RULES: IDPA Rulebook 2024
CONCEALMENT GARMENT: Required
DISTANCES: 2- 6 yards
Muzzle Safe Point: Unless otherwise specified, the 180°rule applies horizontally, and vertically the limit is the berms height, vertically except guns unloaded and only with slide or cylinder open.

PROCEDURE:
STRING 1: On start signal, engage all targets from available covers, T1-T2-T3 are in the open
STRING 2: On start signal, engage all targets from available covers, T8 is in the open





European Berserker Experience 2025

TIER 2 IDPA MATCH

Stage n°4

“The discussion in the Vikings disco club”



SCENARIO: During an argument over some unwelcome comments about your wife, the antagonists turn out to be armed criminals who do not hesitate to shoot at you and those present, save you and your wife

START POSITIONS:

String 1: Standing relax on SP1 facing down range, toes on the line, gun loaded & holstered, spare magazines at division capacity properly stowed, weak hand holds the handle.

String 2 : Standing relax on SP2 facing down-range, toes on the line, gun loaded & holstered, spare magazines at division capacity properly stowed

PCC: both strings the same condition but hip-level

PROCEDURE: Both strings, on start signal, engage the targets from available covers,

N.B: On string 1, T1-T2-T3 are in the open. releasing the handle will make T3 disappear

On string 2, T7-T8-T9, are in the open.

STRINGS: 2

SCORING: String 1: 12 rounds, Unlimited

String 2: 14 rounds Unlimited

TARGETS: 13 threat, , 3 NT

SCORED HITS: Best 2 per target for both strings

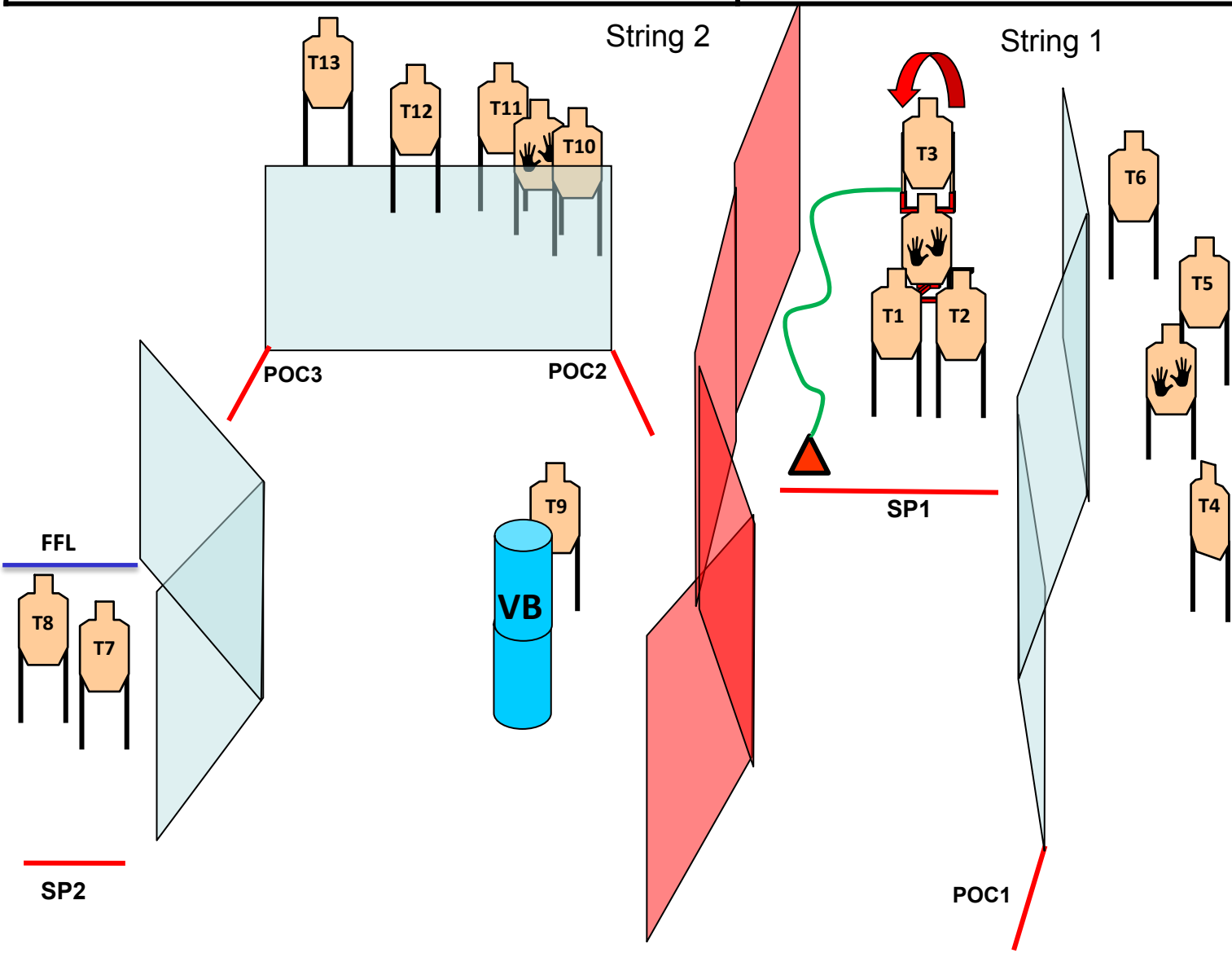
START-STOP: Audible – Last shoot

RULES: IDPA Rulebook 2024

CONCEALMENT GARMENT: Required

DISTANCES: 3-8 yards

Muzzle Safe Point: Unless otherwise specified, the 180°rule applies horizontally, and vertically the limit is the berms height., vertically except guns unloaded and only with slide or cylinder open.





European Berserker Experience 2025



TIER 2 IDPA MATCH

Stage n°5

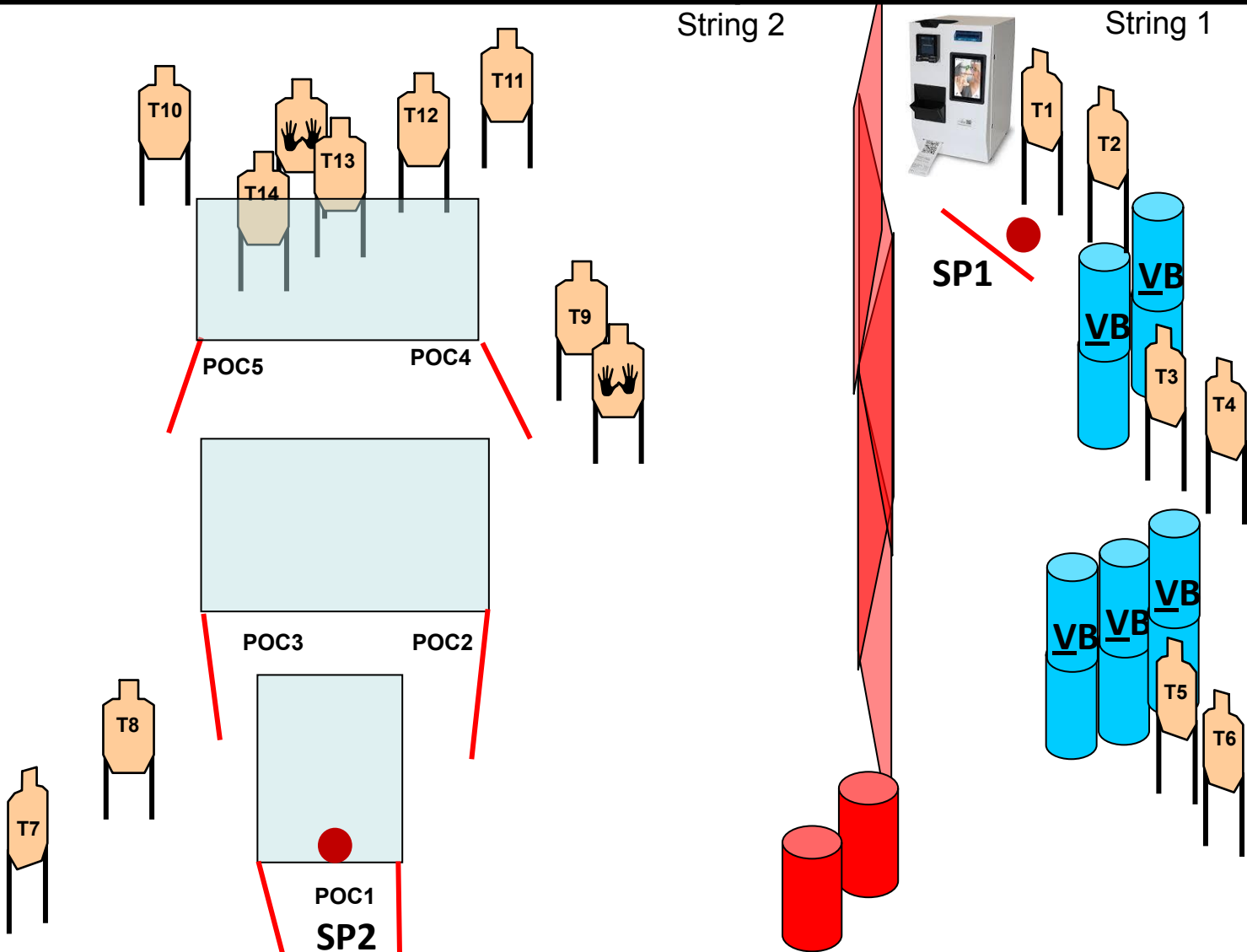
“Something went wrong”

SCENARIO: Before you pick up your car from the parking lot, you go to the automatic machines to pay the ticket when some armed criminals ask you for your wallet and watch, defend yourself, then when you get close to your car, you realize that other criminals are robbing your car and as soon as they see you they start shooting at you, continue to defend yourself

START POSITIONS: Both strings Standing relax, gun loaded and holstered, spare magazines at division capacity properly stowed.
PCC: Same conditions but Low Ready, muzzle to the red point.
String 1: In SP1 toes touch the line, facing T1 –T2
String 2: In Poc1 between the 2 fault lines, facing down range.

STRINGS: 2
SCORING: String 1: 12 rounds, Unlimited
String 2: 16 rounds Unlimited
TARGETS: 14 threat, 2 NT
SCORED HITS: Best 2 per target for both strings
START-STOP: Audible – Last shoot
RULES: IDPA Rulebook 2024
CONCEALMENT GARMENT: Required
DISTANCES: 2-14 yards
Muzzle Safe Point: Unless otherwise specified, the 180°rule applies horizontally, and vertically the limit is the berms height, vertically except guns unloaded and only with slide or cylinder open.

PROCEDURE:
STRING 1: On start signal, engage al targets in the open
STRING 2: On start signal, engage all targets from available covers, T7-T8 are in the open





European Berserker Experience 2025

TIER 2 IDPA MATCH Stage n°6 "At the coins laundry"

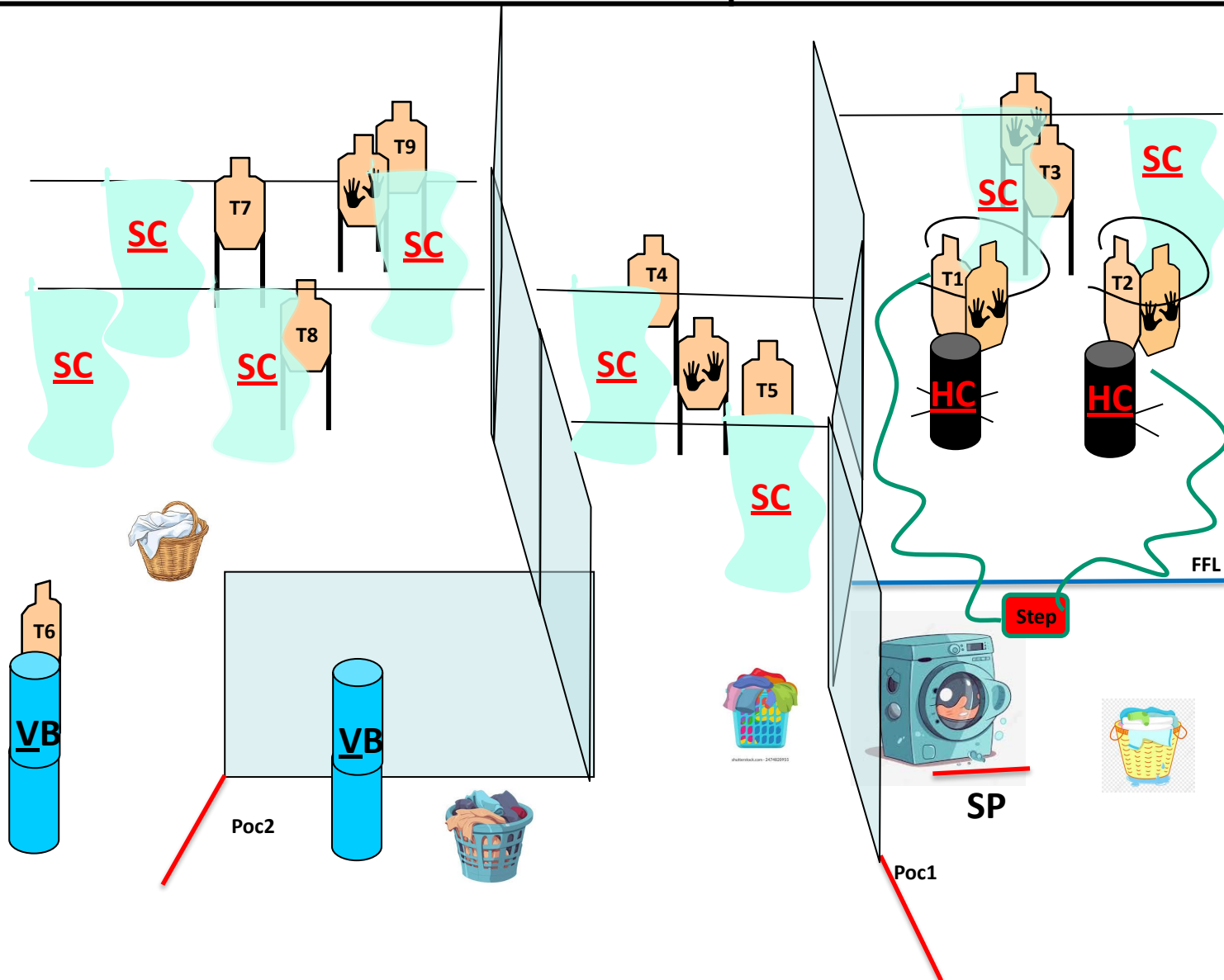


SCENARIO: You are on the coins laundry, and when you load the washing machine, something criminals coming inside the laundry by shooting to every were for take the cashier money, save your self!!!

START POSITIONS: In Sp facing down range, both hands completely inside the washing machine, gun loaded & holstered, empty chamber, spare magazines at division capacity properly stowed.
PCC: The same condition but rifle on the top of Washing machine, muzzle down range.

STRINGS: 1
SCORING: 18 rounds, Unlimited
TARGETS: 9 threat, , 5 NT
SCORED HITS: Best 2 per target
START-STOP: Audible – Last shoot
RULES: IDPA Rulebook 2024
CONCEALMENT GARMENT: Required
DISTANCES: 5-1 yards
Muzzle Safe Point: Unless otherwise specified, the 180° rule applies horizontally, and vertically the limit is the berms height, vertically except guns unloaded and only with slide or cylinder open.

PROCEDURE: On the start signal, engage all target from available covers, T1-T2-T3 and T6, are in The Open. Trample on the Step, will activate the double turner T1&T2 that will disappear, and will show only the two NT targets at the end of its action.





European Berserker Experience 2025

TIER 2 IDPA MATCH

“STAGE n.7”



STANDARD

START POSITIONS: Relax on SP facing down-range, toes touch the line, gun loaded & holstered, spare magazines at division capacity properly stowed.

PCC: Same condition but Hip-level

PROCEDURE: On start signal, engage the targets in low cover (at least one knee on the ground)

N.B: Each target must be engaged with at least 3 rounds with the strong hand only, and at least 3 rounds with the weak hand only.

STRINGS: 1

SCORING: 18 rounds, Unlimited

TARGETS: 3 threat, , 1 NT

SCORED HITS: 6 Best per target

START-STOP: Audible – Last shoot

RULES: IDPA Rulebook 2024

CONCEALMENT GARMENT: Required

DISTANCES: 4 yards

Muzzle Safe Point: Unless otherwise specified, the 180° rule applies horizontally, and vertically the limit is the berms height, vertically except guns unloaded and only with slide or cylinder open.

